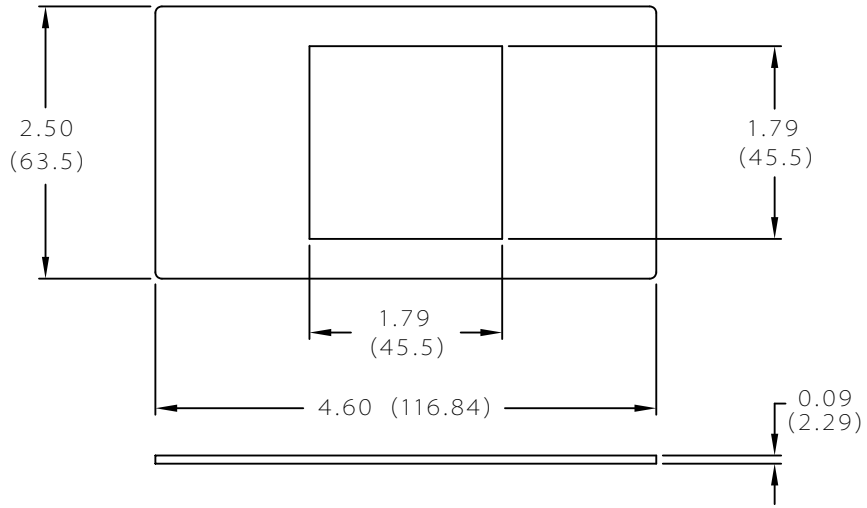
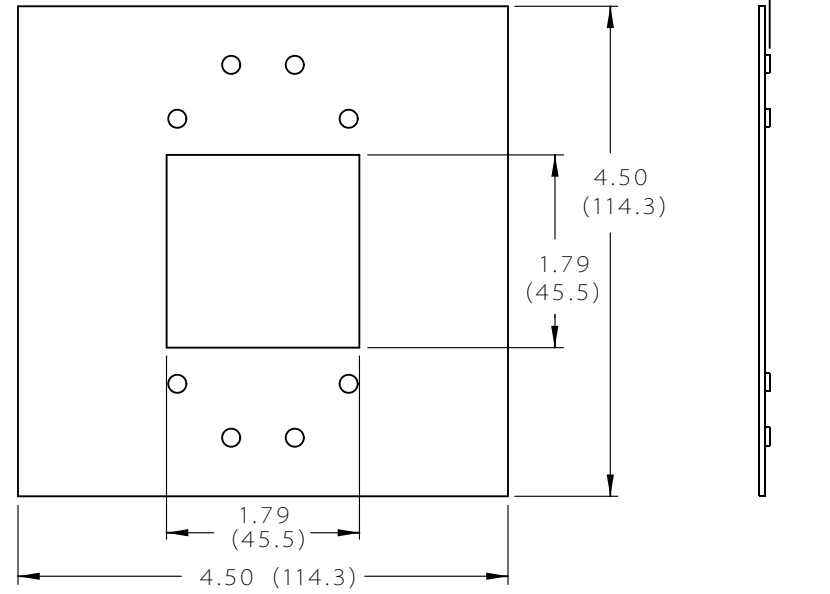


PMK6



.04 ± .01



PMK6A

